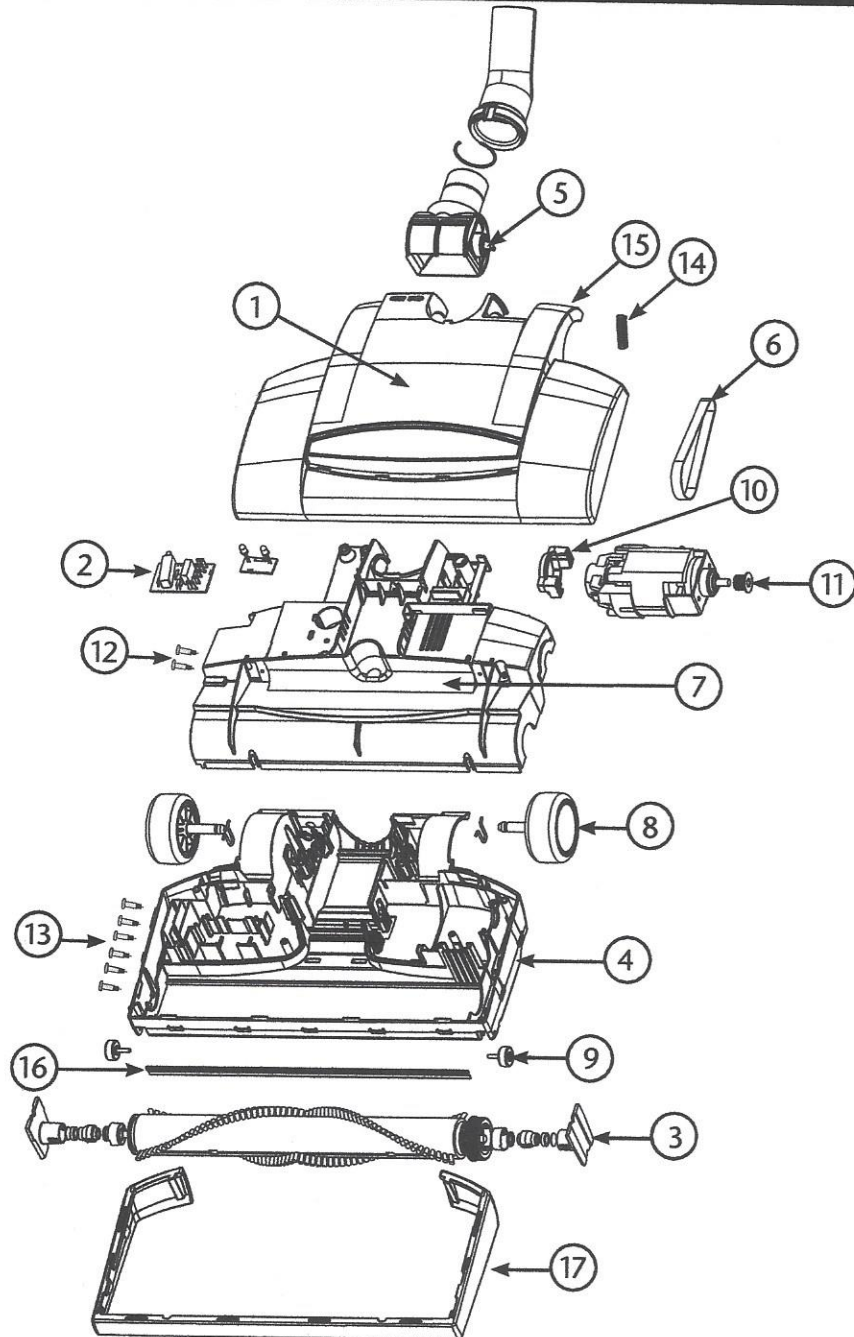


POWER NOZZLE ASSEMBLY



POWER NOZZLE PARTS LIST

I.D.	Description	Part#
1	Cover Complete – No Light – Black	106016
2	Circuit Board/Red Cap 120V (use only with manual reset switch with light and motor 105021)	105012
	Circuit Board/Red Cap 120V (use only with thermal reset switch with light and motor 106918)	106917
3	Brush Roll Complete	105013
4	Base Complete (Bushing/Bumper/Cable Tunnel/Counter Weight)	106017
5	Neck/Joint Complete W/Buttonhole	105015
6	Belt - Cogged	105016
7	Motor Cover for Units Without Light	105017
8	Rear Wheel – 2 Wheels/Axle	105018
9	Front Wheel – 2 Wheels/Axle	106983
10	Motor Hardware- Clamp/Screw/Wedge	105020
11	Motor Complete 250W (use only with 105012 circuit board)	105021
	Motor Complete 120W (use only with 106917 circuit board)	106918
12	Screw Set (2)	106525
13	Screw Set (6)	106524
14	Compression Spring for Foot Pedal	106933
15	Release Foot Pedal	106939
16	Rubber Barrier	106934
17	Baseplate Bumper	106940
	Power Nozzle Power Cord (not shown)	106301