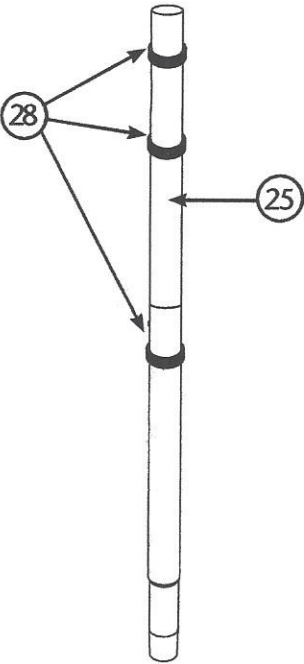
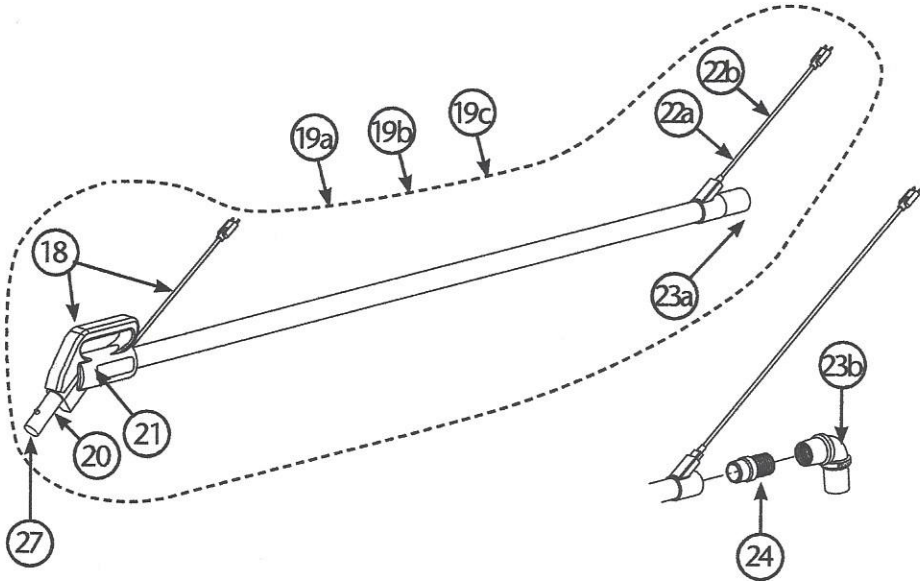


ELECTRIFIED HOSE ASSEMBLY



ELECTRIFIED HOSE PARTS LIST

I.D.	Description	Part#
18	Switch Replacement Kit (includes on/off switch with circuit board and power cord)	106413
19a	45" Electrified Hose, Handle, Swivel Cuff, 2-Wire Power Cord for Alpine	103456
19b	78" Electrified Hose, Handle, Swivel Cuff, 2-Wire Power Cord for ProVac CN (formerly ProClean)	106438
19c	45" Electrified Hose, Handle, Swivel Cuff, 2-Wire Power Cord for Sierra	105880
20	Stub Tube Kit (The 106941 Stub Tube fits only newer model units shipped June 2008 or later. Open the handle to see if yours has the second interior stabilizing pin. If it does not, the 106721 Stub Tube Kit must be ordered)	106721
21	Handle Housing w/Screws (Two-button Stub Tube)	106955
22a	28" Power Cord for Alpine/Sierra	105898
22b	15" Power Cord for ProVac CN (formerly ProClean)	105790
23a	Swivel Cuff for Alpine/ProVac CN (formerly ProClean)	103502
23b	Elbow Swivel Cuff for Sierra	102715
24	Swivel Cuff Adapter for Sierra	101950
25	2-Piece Wand w/Cord Holder	106053
	1-Piece Wand (2 wands make 106053)	101784
26	Brass Contact Ring (inside handle) (not shown)	106936
27	2-Pin Stub Tube (must have corresponding handle 106955)	106941
28	Velcro Straps (set of three)	107026
	Bleeder Valve (not shown)	106708