

# **SAFETY, OPERATION MANUAL & PARTS LIST**



## **Mastercraft MTHC-2015 MULTI-PURPOSE FLOOR MACHINE**

This unit is intended for commercial use.

**READ & FOLLOW ALL  
INSTRUCTIONS, WARNINGS & CAUTIONS  
BEFORE USING THIS GRINDING MACHINE**

### **PLEASE READ CAREFULLY BEFORE OPERATING**

This floor machine will afford you many years of trouble free operating satisfaction if it is given proper care. All parts have passed rigid quality control standards before being assembled to produce the finished product. Prior to packaging, units are again inspected for assurance of flawless operation.

This floor machine was protectively packed to prevent damage in shipment. We recommend that upon delivery, remove the unit from its carton and carefully inspect it for any possible damage in transit. A warranty card is affixed to the handle. It is your responsibility to fill it out and send it to our office to register your purchase and start your warranty. Failure to send us this card in one week upon receipt of the machine may void the warranty.

If damage is discovered, immediately notify the transportation company that delivered your floor machine. As a shipper, we are unable to act upon any claim for concealed damage. You must originate any claim within 5 days of delivery.

These instructions are for your protection and information. **PLEASE READ CAREFULLY!** Failure to follow these precautions could result in injury or discomfort.

Treat this floor machine as you would any other high grade precision made product. Throwing, dropping, unreasonable bumping across thresholds and other misuse may result in a damaged unit and invalidate the warranty.

### **SAVE THESE INSTRUCTIONS**

Address: 777 South Street, P.O. Box 2310, Newburgh, New York 12550-0606  
TEL: 877.356.6703 / 845.565.6623 / FAX: 845.565.8894  
Internet Address: [www.onfloor.com](http://www.onfloor.com) / [info@onfloor.com](mailto:info@onfloor.com)

# IMPORTANT SAFETY INSTRUCTIONS



## WARNING:

To reduce the risk of fire, electric shock or injury;  
Read all instructions before using this floor machine.

- 1) **DO NOT** leave the floor machine plugged in when not in use. Unplug from the outlet when not in use and/or before servicing.
- 2) Electric shock could occur if exposed to rain. Store indoors.
- 3) This is **NOT** a toy. Close attention is necessary when used around or near children.
- 4) Use only as described in this manual. Use only manufacturer's recommended attachments.
- 5) **DO NOT** use with damaged cord plug. If the floor machine is not working as it should because it has been dropped, damaged, left outdoors, or dropped into water, contact the manufacturer or authorized service center.
- 6) **DO NOT** handle the plug or operate with wet hands.
- 7) **DO NOT** pull or carry by cord, use power cord as a handle, close a door on cord, or pull cord around sharp edges or corners. **DO NOT** run floor machine over the cord. Keep cord away from heated surfaces.
- 8) **DO NOT** unplug by pulling on cord. To unplug, grasp plug, not the power cord.
- 9) **DO NOT** put any object into motor openings.
- 10) Keep hair, loose clothing, fingers and all parts of body away from moving parts.
- 11) **DO NOT** use an optional vacuum without the manufacturer's filters in place.
- 12) **DO NOT** operate where anesthetics and oxygen are used.
- 13) **DO NOT** use an extension cord.
- 14) **DO NOT** use around flammable or combustible liquids such as gasoline or use in areas where they may be present.
- 15) Replace damaged or worn parts immediately with genuine Grind 'N Go equipment parts to maintain safety and protect your limited warranty.
- 16) Floor sanding can result in an explosive mixture of fine dust and air. Use a floor sanding machine only in a well ventilated area.
- 17) **DO NOT** leave sawdust in the filter bag when sander is not in use, this is a fire hazard.

This floor machine must be connected to a properly grounded outlet only. (See grounding method below.)

## GROUNDING INSTRUCTIONS & METHODS

### DANGER:

Improper use of the grounding plug can result in a risk of electrical shock.



This floor machine must be grounded. If it should malfunction or breakdown, grounding provides a path of least resistance for electrical current to reduce the risk of electric shock.

This machine is equipped with an equipment-grounded plug. The plug must be inserted into an appropriate outlet that is properly installed and grounded in accordance with all local codes and ordinances

If repair or replacement of the cord or plug is necessary, **DO NOT** connect the grounding wire to either flat blade terminal. The insulated wire with an outer surface that is green with or without yellow stripes is the grounding wire.

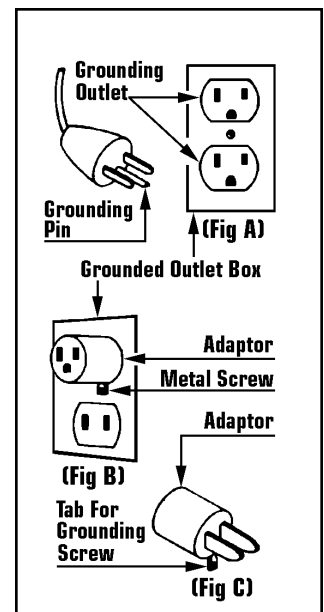
This floor sander is for use on a nominal 120 volt circuit, and has a grounding plug that looks like the plug illustrated in (Fig A). A temporary adaptor that looks like the adaptor illustrated in (Fig B & C) may be used to connect the plug to a 2-pole receptacle as shown in (Fig A) if a properly grounded outlet is not available.

The temporary adaptor should be used only until a properly grounded outlet (Fig A) can be installed by a qualified electrician. The green color rigid ear, lug, or like extending from the adaptor must be connected to a permanent ground such as a properly grounded outlet box cover. Whenever the adaptor is used, it must be held in place by the metal screw (Fig C).

### WARNING:

Improper connection of the equipment-grounding conductor can result in a risk of electrical shock. Check with a qualified electrician or service person if you are in doubt as to whether the outlet is properly grounded. **DO NOT** modify the plug provided with the machine. If it will not fit the outlet, have a proper outlet installed by a qualified electrician.

**NOTE:** In Canada, use of a temporary adaptor is not permitted by the Canadian Electrical Code.



# **ATTACHMENTS INSTALLATION & CHANGING**



## **CAUTION:**

When installing or changing the accessories, turn OFF the machine and disconnect the power cord from the electrical outlet.

### **Before Installation Or Changing Attachments:**

- 1) Unplug the machine from the wall outlet.
- 2) Ensure handle is in the storage position (straight up) and locked in place with the quick release pin.
- 3) Tilt machine back by bracing it with your foot until the handle is laying on the floor and the three heads are fully exposed.

**Note:** It is recommended that a towel or pad is placed under the machine to protect the floor.

### **Changing and Installation of Attachments**

When installing or removing attachments, always wear protective gloves.

- 1) Position the first attachment head at 12 o'clock.
- 2) Using both hands, reach beneath the bottom side of the attachment and pull up towards yourself to free it from the machine.

3) Select the attachment required for the job, and line up the holes on the attachment with the four metal pins protruding from each of the three heads.

4) Push attachments on by hand and if necessary, carefully tap it into place with a rubber mallet.

5) Repeat steps 1 thru 4 with the remaining 2 attachments.

6) Carefully raise the handle, supporting the axle with your foot to control the head of the machine as it is placed on the floor.

7) Since the attachments are different heights, you may need to adjust the dust skirt to make sure it is level with the attachments. This will ensure clean and virtually dust-free operation.

9) To adjust skirt, align the skirt with the center of the machine and wrap it around.

10) Move the handle back to the operating position and lock in place with the quick release pin.

# **OPERATING INSTRUCTIONS**

- 1) Clear the floor of any materials or objects.
- 2) Select and install the accessory set required for the job. (See above for installation instructions.)
- 3) Move handle from the upright "storage" position to the angled "operating" position and lock in place with the quick release pin.
- 4) Place your hands on the handle grips tilt sander back on the transport wheels.
- 5) Engage the safety trigger and trigger lock beneath the right handle grip.

6) When the machine is running, carefully lower it onto the working surface and release the trigger lock.

7) To stop the machine release the safety trigger and it will automatically turn OFF.

8) Move the machine side-to-side while maintaining a steady, consistent pace with the machine.

9) When not in use, a set of attachments **MUST** be left on the sander to protect the heads.

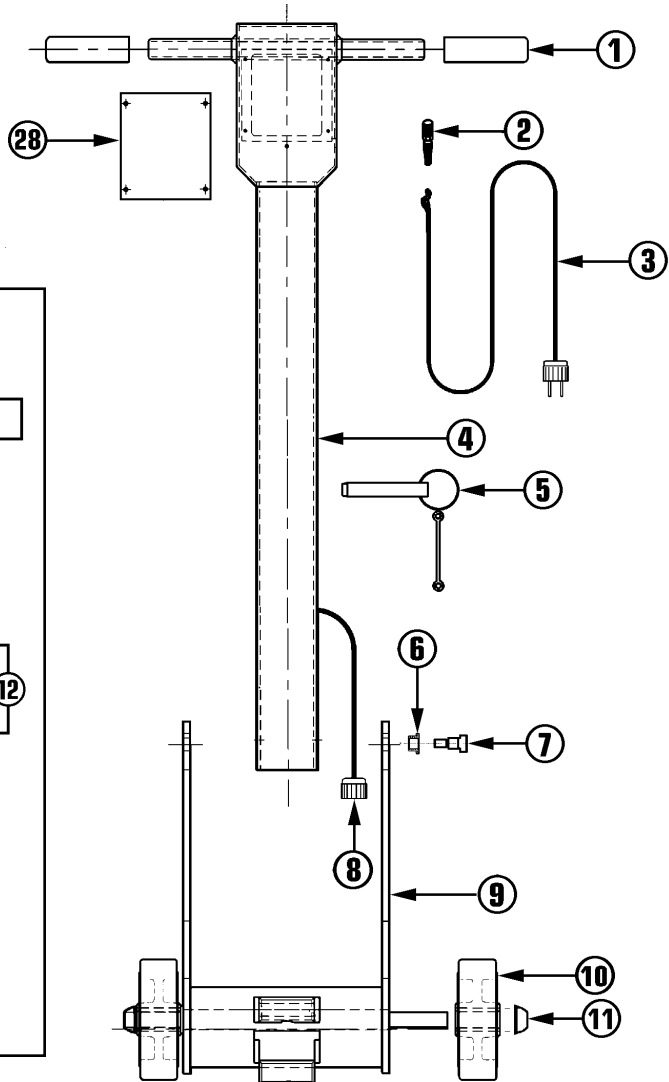
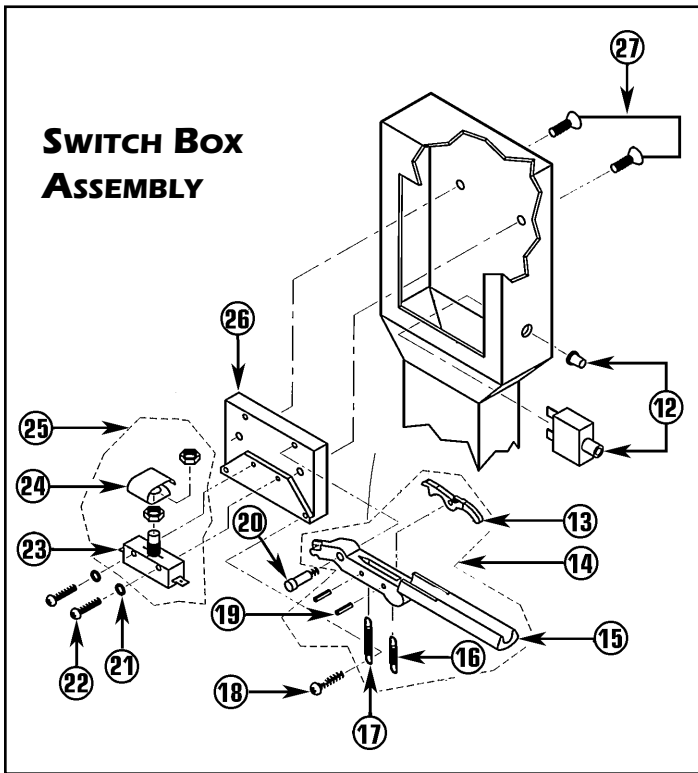
**Note:** If the machine unexpectedly shuts down due to a circuit overload, before restarting wait 30 seconds, then press the reset button .



## **CAUTION:**

**DO NOT attempt to operate this unit if the machine is not fully assembled. When servicing or replacing accessories turn OFF the machine and disconnect from the power source. Prior to operating the machine, tilt machine back on transport wheels, turn ON the machine and carefully lower the machine onto the working surface.**

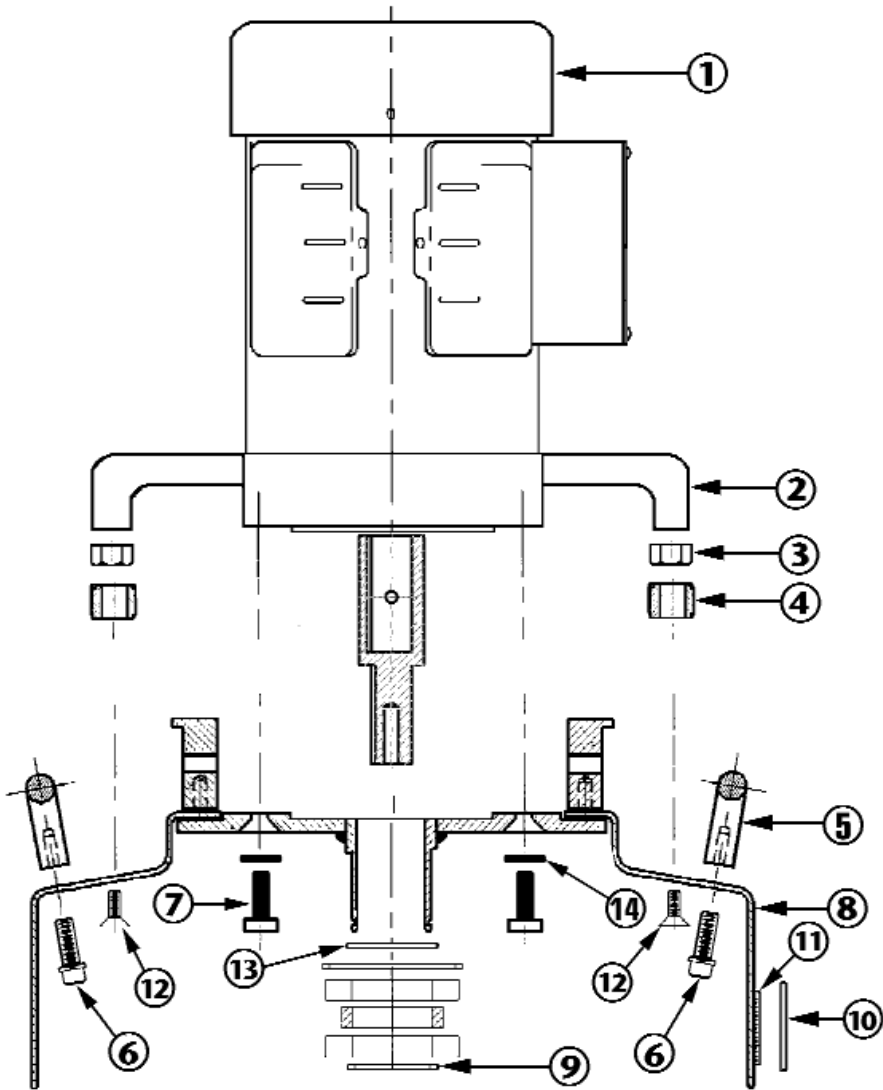
# 20" HANDLE & BASE ASSEMBLY DRAWING & PARTS LIST



Ref No	Part Description	Qty	Part No
1	Rubber Handle Grip	2	490180
2	Strain Relief w/Nut	1	434299C
3	30 Ft Power Cord w/Plug	1	491160
4	Handle Assembly	1	497614
5	Quick Release Pin w/Cable	1	456896
6	Bronze Bushing	2	491055
7	.37-16 X 1/2" Shoulder Bolt	2	491063
8	Motor Cord w/Female Plug	1	490210
9	Wheel Base Assembly	1	490814
10	6" X 2" Wheel	2	490903
11	Palnut	2	490881
12	15 AMP Circuit Breaker	1	496979
13	Trigger Lock	1	390119
14	Plastic Trigger Kit	1	386839

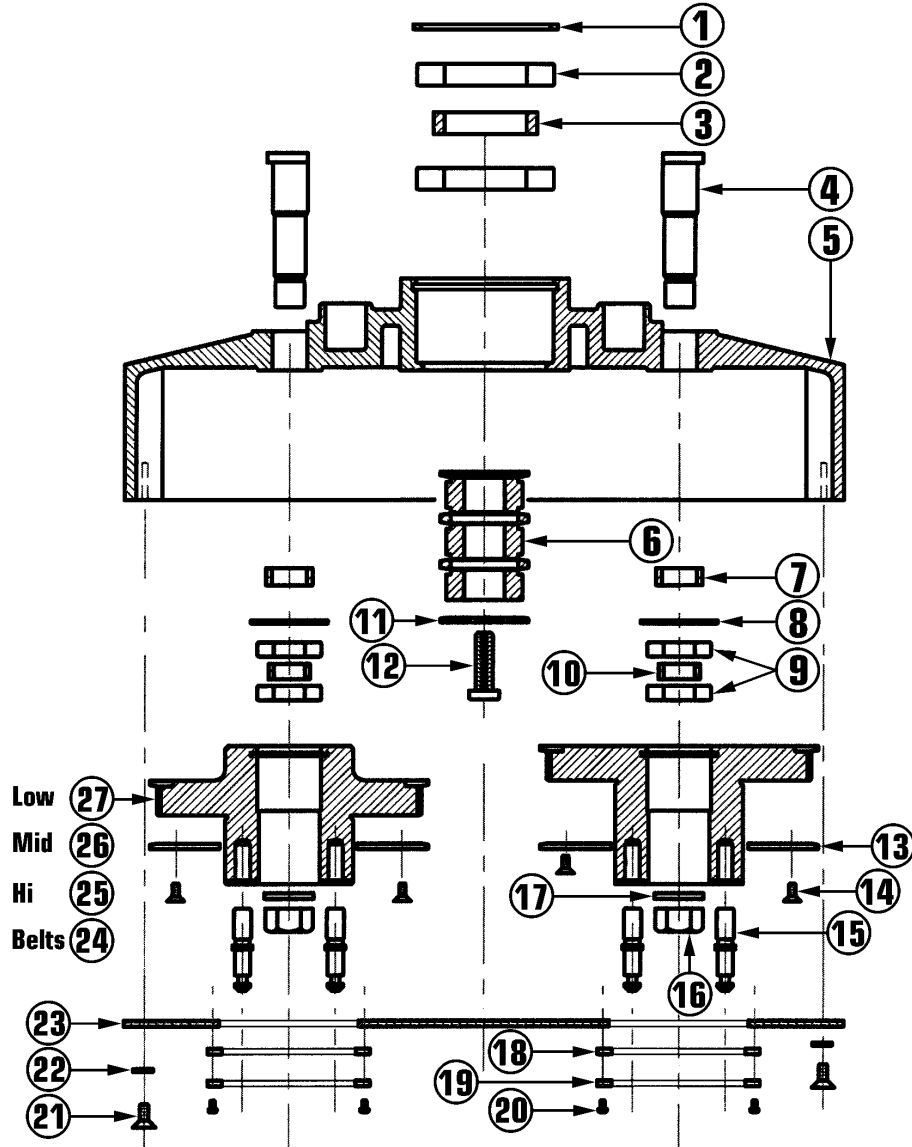
Ref No	Part Description	Qty	Part No
15	Trigger	1	385654
16	Small Trigger Spring	1	376671
17	Large Trigger Spring	1	383147
18	#8-32 X 5/8" Screw	1	374075
19	Roll Pin	2	383139
20	.10-24 X .63 Shoulder Screw	1	495875
21	#6 Int Tooth Lockwasher	2	355294
22	#6-32 X 1.00 Screw	2	335576
23	Micro Switch	1	469637
24	Leaf Spring	1	335584
25	Micro Switch Assembly	1	495867
26	Mounting Bracket	1	495824
27	.25-20 X 1/2" Screw	2	331740
28	Switch Box Plate	1	490105

# 20" OUTER BOWL DRAWING & PARTS LIST



Ref No	Part Description	Qty	Part No
1	2.0 HP Motor (1740 RPM)	1	249173
2	28# Weight (Optional)	1	492442
3	Nyloc Nut	3	380784
4	Weight Knob	3	491632
5	Bowl Handle	2	490385
6	1/4 -20 X 5/8" Screw	4	457310
7	.38-16 X 1" Bolt	4	368830
8	20" Outer Bowl Assembly	1	496464
9	13/4" External Snap Ring	1	491292
10	Rubber Dust Skirt	1	491926
11	Velcro Strip	1	492019
12	1/4 -20 X .75" Screw	3	342831
13	Felt Gasket	1	450073
14	.37 Lockwasher	4	368849

# 20" INNER BOWL DRAWING & PARTS LIST



Ref No	Part Description	Qty	Part No	Ref No	Part Description	Qty	Part No
1	2.87" Internal Snap Ring	1	490598	15	Accessory Pins	12	490458
2	Bearing (6009-2RS)	2	490563	16	.62-11 Nylock Nut	3	490628
3	Large Bearing Spacer	1	490571	17	Washer	3	490636
4	Outer Pulley Shaft	3	490547	18	Felt Gasket	3	491373
5	20" Inner Bowl	1	491810	19	Aluminum Ring	3	490652
6	Center Cog Pulley	1	494836	20	Tubular Rivet	12	394068
7	Shaft Spacer	3	490555	21	.25-20 x .5 Phillips Screw	9	331740
8	1 1/2" Internal Snap Ring	3	490466	22	#14, .43"OD Lockwasher	9	491012
9	Ball Bearing w/Seals	6	464910	23	Aluminum Cover Plate	1	491888
10	Small Bearing Spacer	3	490474	24	Belt 240-L050	3	491918
11	Flange	1	490989	24b	Belt 210-L050 (OF16LG)	3	223514
12	Low Profile Bolt	1	490997	25	48 High Tooth Pulley	1	490512
13	2.76" ID x 6.00" OD Ring	3	222828	26	48 Middle Tooth Pulley	1	490490
14	#10-32 x .5 Phillips Screw	9	377201	27	48 Low Tooth Pulley	1	490415

# VACUUM OPERATING INSTRUCTIONS



## WARNING:

IF THIS MACHINE IS USED FOR SANDING, DO NOT LEAVE SAWDUST IN THE FILTER BAG WHEN THE MACHINE IS NOT IN USE. THIS IS A FIRE HAZARD.

This machine can be used with a variety of vacuums to pick up wood and concrete dust.

Separate dedicated power source for the machine and vacuum is recommended.

The vacuum hose must be attached to the 1<sup>1</sup>/<sub>2</sub>" hose barb on the outer bowl of the floor machine.

During operation, periodically check the vacuum. When the cloth or paper filter bag is <sup>3</sup>/<sub>4</sub> full or dust is forming around the bottom of the machine, it **MUST** be emptied.

Operation of the vacuum cleaner must be in accordance with specific manufacturer's safety and operation instructions.

## BELT CHANGING INSTRUCTIONS



1) Unplug the motor power cord from the handle.

2) Pull the speed pin from the handle and remove the handle. Carefully set handle aside.

3) Turn the machine chassis upside down on a table resting on the motor cover.

4) Remove pads/attachments. (See Page 3)

5) Remove the nine flat head screws and beveled washers from cover plate.

6) Remove the cover plate from inner bowl.

7) Vacuum up the dust and debris from inner bowl.

8) Remove old belt or belts by pulling upwards and roll off using a screwdriver while turning the pulley.

9) Roll new belt or belts back on the pulley.

10) Reassemble the machine reversing the above steps.

## GENERAL SAFETY PRECAUTIONS



## CAUTION:

This machine is designed for surfacing concrete and sanding wood floors. All operators and maintenance personnel should read and understand the safety procedures with this floor machine.

1) All personnel in the immediate work area must wear safety glasses with side shields whenever the machine is in operation. Protective clothing is also recommended. Long sleeve shirts and safety shoes should be worn. Avoid wearing loose clothing.

2) **DO NOT** attempt to service or replace attachments while the machine is running or connected to a power source.

3) **DO NOT** operate this floor machine in the rain or in areas where liquids could enter the electrical components of the machine.

4) Keep the power cord away from the revolving heads to avoid damage.

5) Check main power supply to assure that you are connecting the equipment to a proper dedicated service.

## MACHINE MAINTENANCE

1) Unplug the machine.

2) After each use, wipe off machine with a clean cloth.

3) Empty the vacuum you are using in accordance with specific manufacturer's safety & operation instructions.

4) Check for loose parts and fasteners.

5) Check the power cord for any breaks in the wire. Breaks will most likely occur near the plug or switch. Repair or replace any breaks immediately.

# TROUBLESHOOTING GUIDE

## PROBLEM: Motor will not run.

### POSSIBLE CAUSE

- 1) Defective switch.
- 2) Defective power cord or wiring.
- 3) Defective motor.
- 4) Blown fuse or tripped circuit breaker at the wall panel.
- 5) Power cord not plugged in properly or damaged.

### POSSIBLE SOLUTION

- 1) Check switch, replace if defective.
- 2) Check and replace if defective.
- 3) Have motor checked by an authorized service center.
- 4) Replace fuse or reset circuit breaker. If this does not correct the problem, have the sander checked by an authorized service center.
- 5) Plug in power cord properly or replace power cord if damaged.

## PROBLEM: Machine bogs down and runs slow.

### POSSIBLE CAUSE

- 1) Defective capacitor or switch.
- 2) Circuit may be overloaded with more than one appliance.
- 3) Low line voltage in building.

### POSSIBLE SOLUTION

- 1) Have machine checked by an authorized service center.
- 2) Plug floor machine into a dedicated power outlet. If the problem still exists there could be a short. Have the floor machine checked by an authorized service center.
- 3) If wiring is old in the building have voltage checked by the power company.

## PROBLEM: Motor runs, driver will not rotate.

### POSSIBLE CAUSE

- 1) Belt is broken.

### POSSIBLE SOLUTION

- 1) Replace belt.

## PROBLEM: Noisy machine or vibration.

### POSSIBLE CAUSE

- 1) Defective motor.
- 2) Attachment is not level or securely attached.

### POSSIBLE SOLUTION

- 1) Contact the manufacturer or authorized service center.
- 2) Level attachment and make sure all fasteners are secure.

## **WARRANTY INFORMATION**



Parts and Service Center  
777 South Street  
Newburgh, NY 12550-0606

Phone: 800.835.7812

FAX: 800.752.6883

We guarantee to the original purchaser this floor machine against defects in material and workmanship for a period of 1 year from the date of delivery. Please note the following conditions pertaining to this warranty.

1) This warranty does not apply to any repair arising by reason of misuse, neglect, or abuse, or to proprietary parts.

2) Applies only to the original owner and is not transferable.

3) Machine will not have been dismantled or tampered with in any way.

4) Covered components proven defective

will be repaired or replaced at no charge. Covered components include motors, bearings, belts and switches.

5) This Warranty is in lieu of and excludes every condition or warranty not herein expressly set out and all liability for any form of consequential loss or damage is hereby expressly excluded.

6) This Warranty is limited to repair or replacement of covered components and reasonable labor expenses.