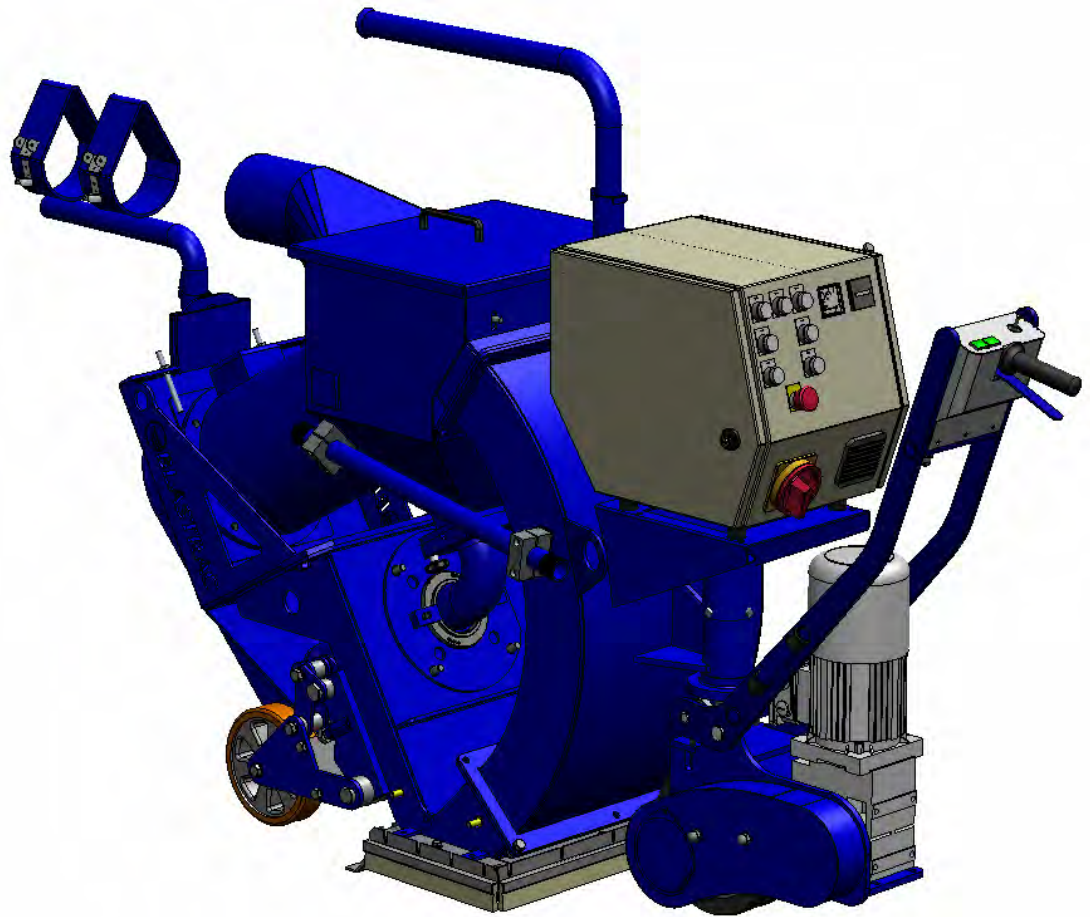




# 1-15DS Global

Version 1.4



**EC DECLARATION OF CONFORMITY**

in accordance with Appendix II sub A of Directive 2006/42/EC

**BLASTRAC B.V.**

Utrechthaven 12  
NL - 3433 PN NIEUWEGEIN  
Tel: 0031 (0)30 601 88 66  
Fax: 0031 (0)30 601 83 33  
Info@Blastrac.nl  
The Netherlands

Declare under our sole responsibility that the machine as described below  
Conforms with the Health and Safety requirements of the European Directive  
of the machine Safety.

In case of changes to the machine without our written authorization this declaration loses  
its validity.

**Model:** *BLASTRAC 1-15DS Global* **Serial number:** .....

1. satisfies the conditions set out in the Machine Directive (Directive 2006/42/EC);  
Low voltage directive (2006/95/EC, as last amended; EMC directive 2004/108/EC,  
as last amended)
2. satisfies the following harmonized standards:  
NEN-EN 349, NEN-EN 418, NEN-EN 294 and NEN-EN 60204

Nieuwegein .....



Michiel Kalisvaart



## Index

1. Spare parts	04
2. Maintenance box	13
Contact	



1. Spare parts

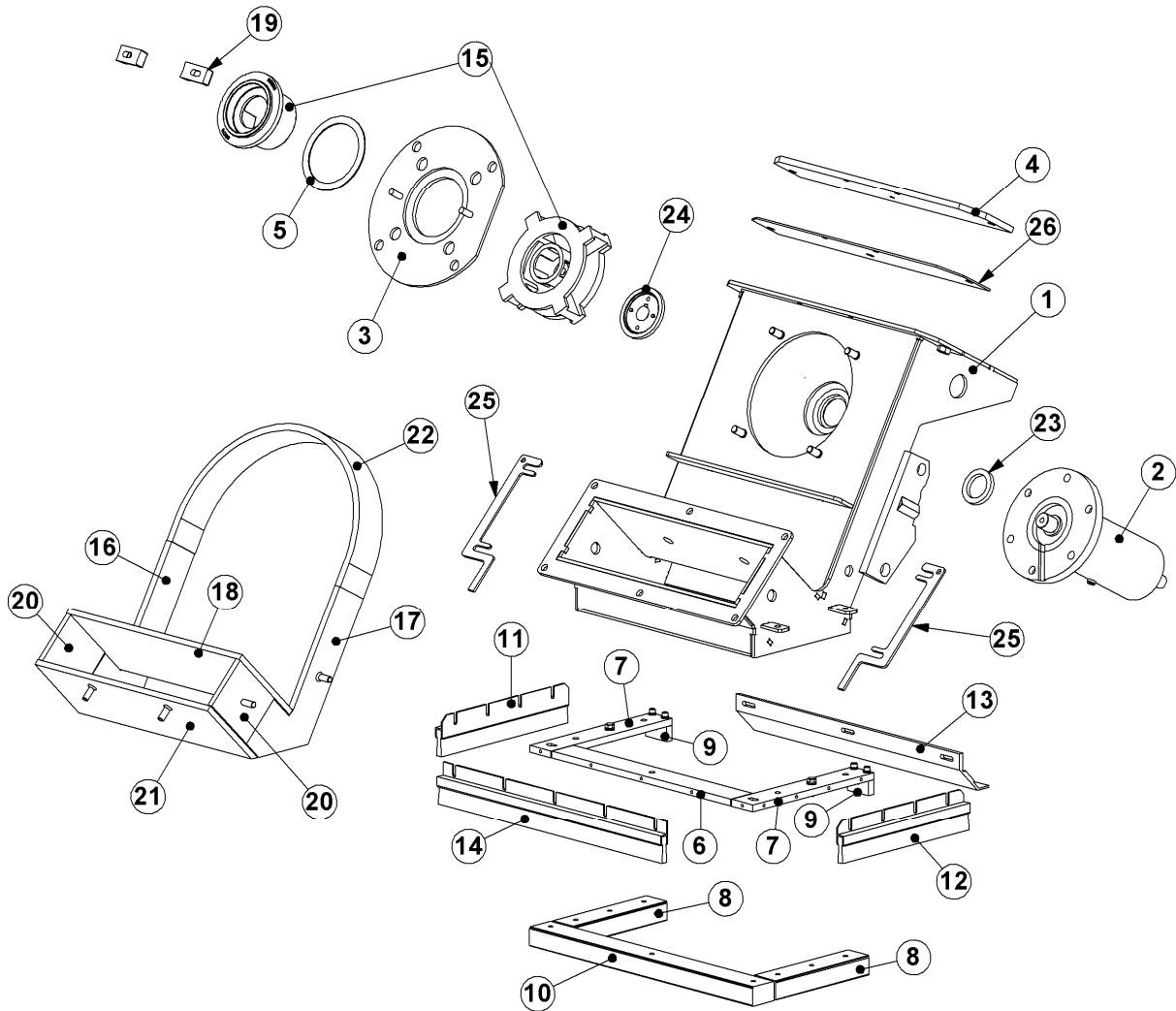


Fig. 01

**Fig. 01**

Item	Part number	Description	Remarks	Qty.
1	E00751	Blasthousing 1-15DS Global		1
2	E00842	Bearing unit complete		1
3	979644	Blastwheel cover plate		1
4	B20458	Blasthousing cover		1
5	972781	Control cage shim		1
6	971851	Insulator front		1
7	489945	Insulator side		2
8	490047	Magnet side		2
9	481350	Spacer side magnet rear		2
10	971884	Magnet front		1
11	B20413	Side brush RH		1
12	B20424	Side brush LH		1
13	682652	Skid seal		1
14	B20412	Front brush		1
15	B20536K	Tune up kit		1
16	B20394	Side liner left hand		1
17	B20395	Side liner right hand		1
18	970151	Plenum top liner		1
19	969803	Control cage clamp		2
20	970153	Plenum bottom side liner		2
21	970152	Plenum bottom		1
22	B20907	Top liner		1
23	B20295	Felt seal Ø60x8		1
24	B20397	Hub		1
25	P003047	Blast pattern indicator		2
26	B20454	Gasket blast housing cover		1

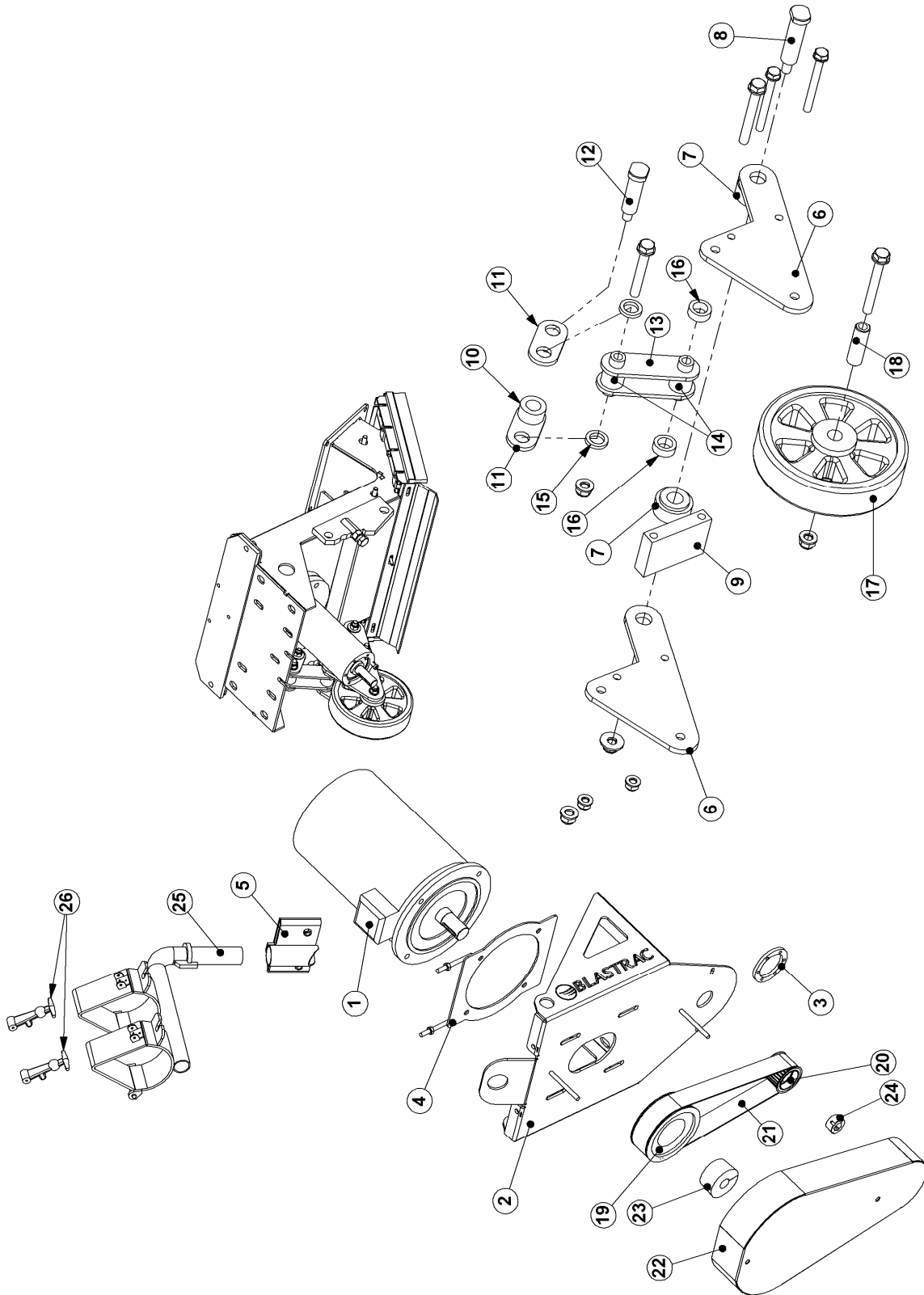
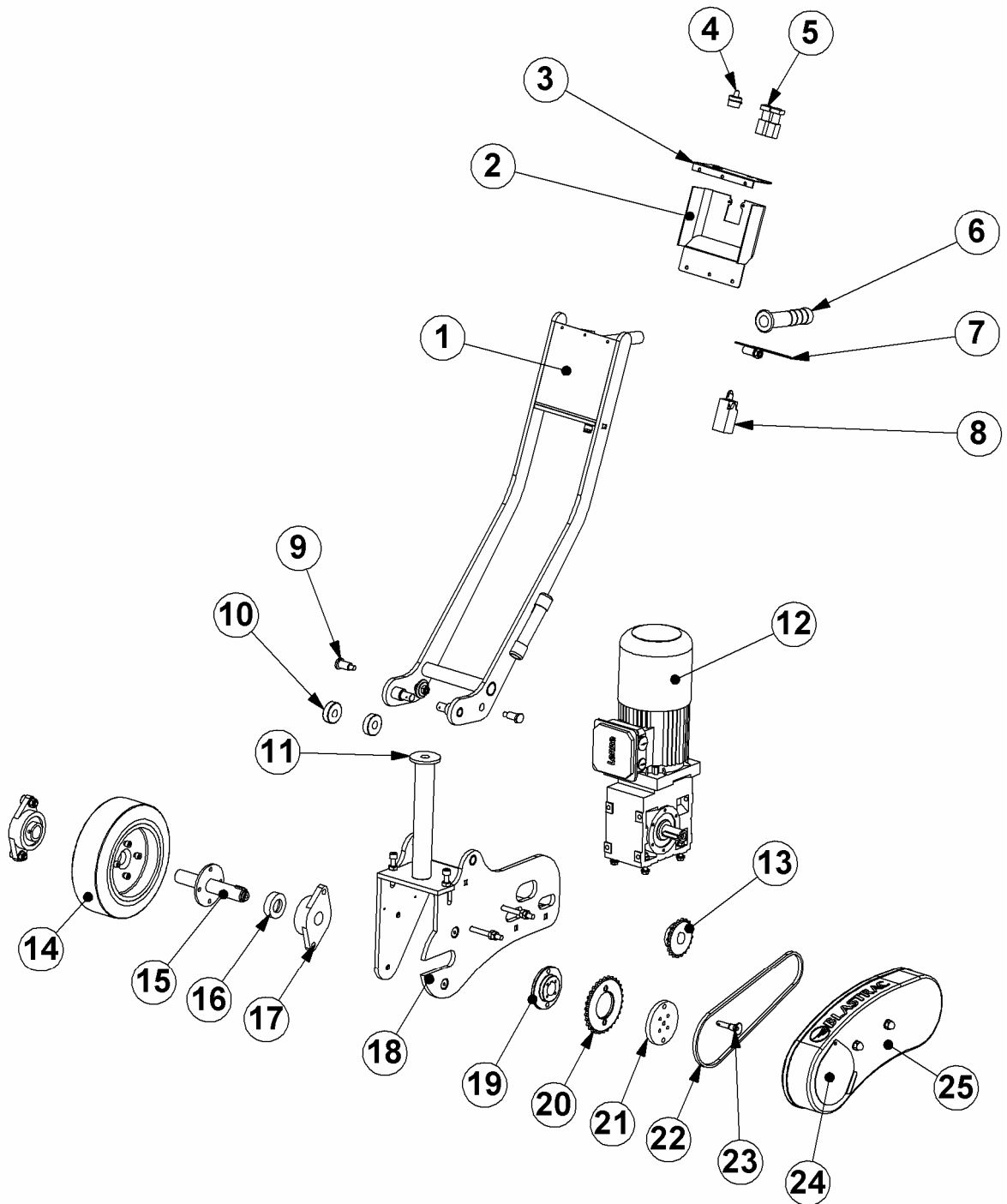


Fig. 02

Fig. 02

Item	Part number	Description	Remarks	Qty.
1	E06511	Blastmotor 15 kW		1
2	E06512	Motorbracket		1
3	E00864	Fill up ring bearing unit		1
4	E06513	Fill up plate blastmotor		1
5	E00745	Cable guide bracket		1
6	E06465	Wheel bracket side plate		4
7	E06472	Wheel bracket bush		4
8	E06468	Bottom bolt		2
9	E06475	Distance plate		2
10	E06474	Lever bush top		4
11	E06467	Top lever		4
12	E06469	Top bolt		2
13	E06466	Bottom lever		4
14	E06471	Lever shaft		4
15	E06855	Lever bush middle		4
16	E06473	Lever bush bottom		4
17	B20842	wheel		2
18	E06470	Idler wheel bush		2
19	B20429/1	Pulley	50Hz	1
	B21340	Pulley	60Hz	1
20	B20430/1	Pulley	50Hz	1
	B21341	Pulley	60Hz	1
21	B20428	Belt	50Hz	1
	E04009	Belt	60Hz	
22	B20224	Pulley guard		1
23	E00425	Taperlock		1
24	222-2172-V	Taper lock		1
25	E00746	Cable guide		1
26	500-1195	Rubber latch assy		2

Fig. 03





**Fig. 03**

Item	Part	Description	Remarks	Qty.
1	E00737	Handle		1
2	E00740	Control box		1
3	E00741	Control box top plate		1
4	E00866	Potention meter complete (consists out of item 4.1 & 4.2 )		1
4.1	E00866/1	Potmeter only with soldered contact block		1
4.2	E00866/2	Potmeter holder		1
5	E00867	Switch		2
6	453290	Handle grip		1
7	E00743	Switch lever		1
8	454796	Limit switch		1
9	E00738	Handle pin		2
10	B20517	Bearing		2
11	971860	Washer for yoke shaft		1
12	E00646	Drive motor		1
13	E00732	Sprocket		1
14	476405	Traction wheel		1
15	E00742	Drive wheel shaft		1
16	E07293	Distance bush drive wheel		1
17	009324	Bearing drive wheel		2
18	E00739	Drive wheel bracket		1
19	488551	Hub		1
20	477631	Idler sprocket		1
21	477630	Sprocket retainer		1
22	E00237	Chain		0.9m
22.1	E00238	Chain link		1
23	478198	Quick release pin		1
24	979971	Cover plate chain guard		1
25	E00744	Chain guard		1

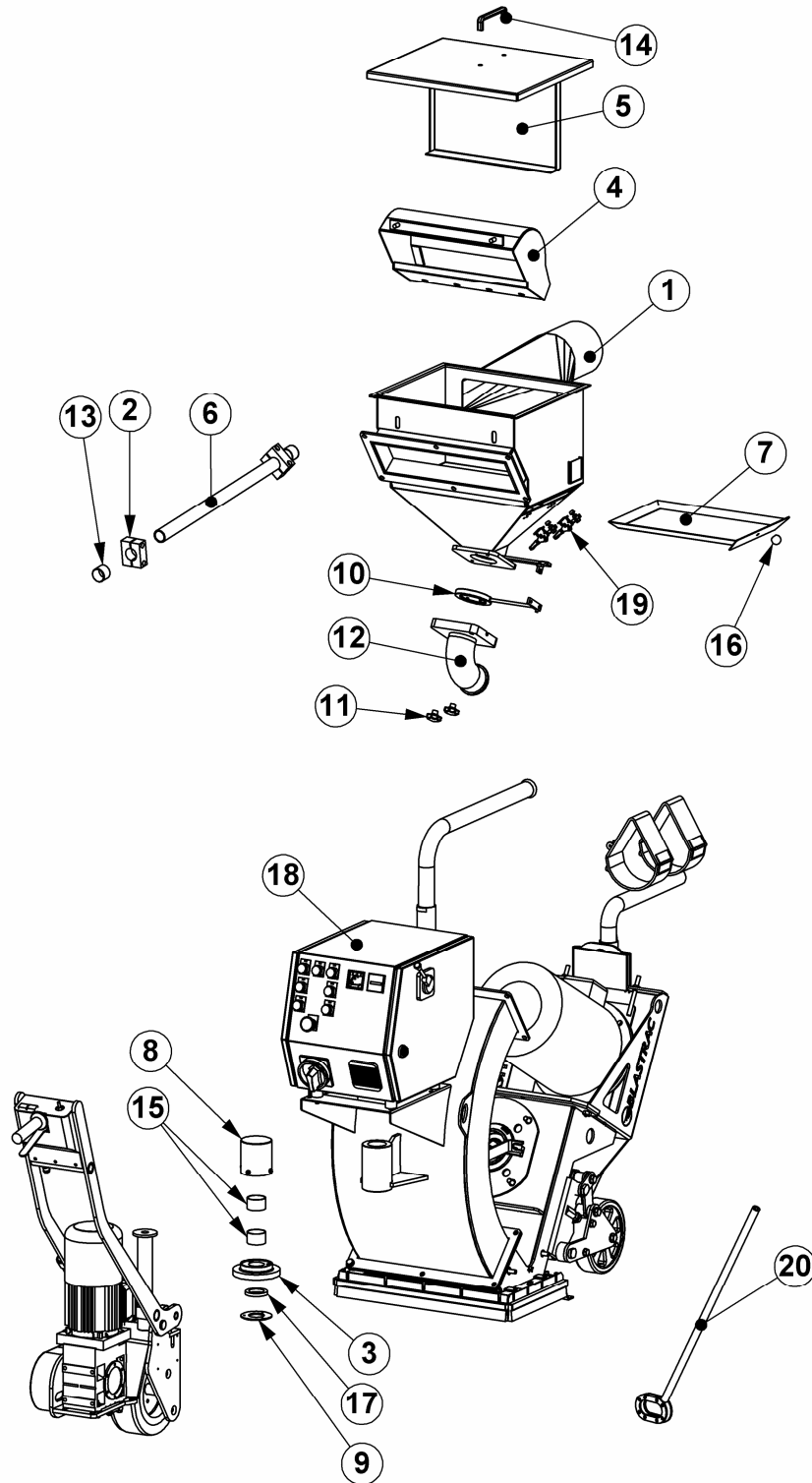
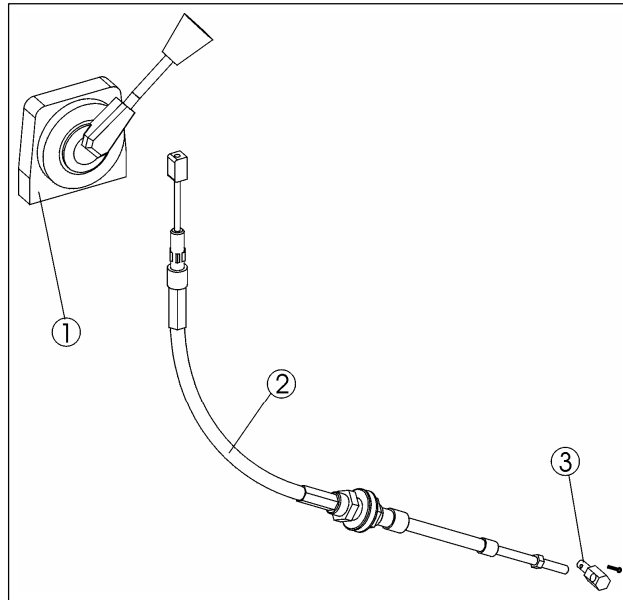


Fig. 04

**Fig. 04**

<b>Item</b>	<b>Part number</b>	<b>Description</b>	<b>Remarks</b>	<b>Qty.</b>
1	B20393	Separator		1
2	B21338	Pipe clamp.35mm (set of 2)		2
3	B20511	Lifting plate		1
4	B20262	Deflector		1
5	B20263	Separator cover		1
6	B21969	Cable tube		1
7	B20264	Separator tray		1
8	B20515	Shaft cover		1
9	B20512	Seal retainer		1
10	B20444	Magnetic valve assembly		1
11	000213	Clamp knob		2
12	B20443	Feed spout		1
13	E00337	Cable protection cap		2
14	970385	Handle		1
15	971341	Sleeve-bearing bush		2
16	B21325	Ball head for separator		1
17	B20295	Felt seal		1
18	E06540	Electrobox 1-15DS Global		1
19	001084	Clamp for separator tray		2
20	B21917	Lever		1



Item	Part number	Description	Remarks	Qty.
1	B20519	Abrasive control lever		1
2	B20520	Abrasive control cable		1
3	B20521	Pivot for abrasive control cable		1

2. Maintenance box

Item	Part number	Description	Remarks	Qty.
1	001071	Metal box 1-15DS		1
2	B20536K	Tune-up kit		3
3	B20394	Left liner		1
4	B20395	Right liner		1
5	B20907	Top liner		1
6	B20520	Abrasive control cable		1
7	B20428	Belt		1
8	B20413	Side brush right		2
9	B20424	Side brush left		2
10	B20412	Front brush		2
11	682652	Skid seal		1
12	001017	Open-end spanner 10 x 11		1
13	001018	Open-end spanner 13 x 15		1
14	001019	Open-end spanner 17 x 19		1
15	001042	Open-end spanner 24 x 26		1
16	001036	Ring spanner 8 x 9		1
17	000114	Ratchet spanner ½"		1
18	000146	Box spanner 13		1
19	000147	Box spanner 17		1
20	000148	Box spanner 19		1
21	000149	Box spanner 24		1
22	000150	Box spanner SW 8mm 120lg		1
23	001033	Allenkey 3		1
24	001016	Allenkey 6		1
25	001032	Screwdriver 5,5 x 100		1
26	001035	Insulated screwdriver		1
27	001056	Water pump pliers		1
28	000151	Hammer		1
29	001031	Safety glasses		1
30	000117	Maintenance box complete		1

**Headquarter**

*Blastrac BV The Netherlands  
Utrechthaven 12  
NL - 3433 PN Nieuwegein  
Tel: 0031 (0)30 601 88 66  
Fax: 0031 (0)30 601 83 33  
info@blastrac.nl*

*Blastrac United Kingdom  
Unit 2, Outgang Lane, Dinnington  
Sheffield, South Yorkshire  
GB – S25 3QU, England  
Tel: 0044 (0) 1909 569 118  
Fax: 0044 (0) 1909 567 570  
info@blastrac.co.uk*

*Blastrac France  
ZI  
29, Avenue des Temps Modernes  
F – 86360 Chasseneuil du Poitou  
Tel: 0033 (0)5 49 00 49 20  
Fax: 0033 (0)5 49 00 49 21  
info@blastrac.fr*

*Blastrac Spain  
Calle Copernico, 16  
Nave 2  
E – 28820 Coslada  
Tel: 0034 91 660 10 65  
Fax: 0034 91 672 72 11  
info@blastrac.com.es*

*Blastrac Germany  
Mathias Brüggén Straße 144  
D – 50829 Köln (Ossendorf)  
Tel: 0049 (0) 221 70 90 32 0  
Fax: 0049 (0) 221 70 90 32 22  
info@blastrac.de*

*Blastrac Poland  
Golina, Dworcowa 47a  
63-200 Jarocin  
Tel: 0048 62 740 40 27  
Fax: 0048 62 740 40 27  
info@blastrac.pl*

