

SPECIFICATIONS



- Very Smooth, Non-Porous Glossy Surface
- Handcrafted with 7mm size tolerance
- Standard 3-1/2" drain opening
- Premium quality ceramic construction
- Extremely resistant to chip, discoloration, scratches, and cracking
- Temperature Resistance: Between 32°F and 250°F

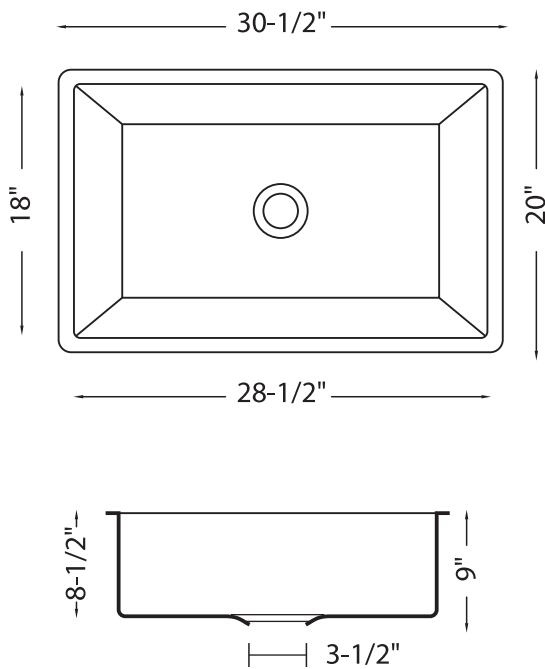


PART#	MODEL	COLOR
2645-0015	H-CF05-02	White

SINK FEATURES



All HIVE sinks receive expert hands-on care under strict quality control throughout every stage of our modern manufacturing process. This ensures a "NO HASSLE" Limited Lifetime Warranty against all manufacturing defects in material and workmanship under normal use.



CODE / STANDARDS COMPLIANCE

Most HIVE sinks meet or exceed the following specifications:
 ASME 112.19.3-2008 - IAPMO/UPC listed - CSA B45.4-2008



JOB INFORMATION

JOB NAME: _____ MODEL SPECIFIED: _____ QUANTITY: _____
 DATE: _____ ARCHITECT/ENGINEER: _____
 CUSTOMER: _____ CONTRACTOR: _____