



QUALITY MADE IN THE USA

Kraken Flood Extractor 120V

*INFORMATION
&
OPERATING
INSTRUCTIONS*

**READ AND UNDERSTAND THESE INSTRUCTIONS
BEFORE OPERATING THE MACHINE**

Contents:

Machine Specifications	1	Set Up & Operating Instructions	5
Record Important Information	1	Troubleshooting	6
Safety Information & Cautions	2	Unit Exploded View	7
Your New Machine	3	Parts List	8
System Features	3	Vac Box Exploded View	9
Tools & Accessories	3	Wiring Diagram	10
Care & Maintenance	3	Warranty	11
Views of Machine	4		

Machine Specifications:

	Neptune 500 120V
Auto Dump Pump	53 GPM 1.5" discharge hose
Vacuum Motors	Dual 6.6 2 Stage in parallel 136" water lift-240 CFM
Tank Capacity	16 Gallon to ball float activation
Vacuum shutoff	Dual Ball Float
Electronic float control	Allows Unit to Cycle between Vacuum and Auto Dump
Filter Basket	6" x 6"
Dimensions	41.5" H 23" W 32" L
Weight	137 lbs
Power Requirements	Dual 12/3 power cords-15A per cord

Machine and Purchase Specifications:

RECORD AND RETAIN THIS IMPORTANT INFORMATION

Kraken 120V

Serial Number: _____

Purchase Date: _____

Write purchase location and phone number below

And don't forget to register your purchase to activate your warranty

CRITICAL SAFETY INFORMATION & CAUTIONS

The acceptable use of this machine is for commercial/professional cleaning, for example, in hotels, schools, hospitals, and offices, rather than for personal housekeeping.

NOTE: Read all instructions before using this machine. Improper use or misuse of the machine can result in personal injury or property damage.



READ ALL!

WARNING!



To reduce the risk of personal injury or property damage, follow these procedures:

- Connect to a properly grounded outlet only.
 - Do not operate the machine in an explosive environment.
 - Do not pick up anything that is burning or smoking, such as cigarette, matches or hot ashes, or any health endangering dusts. Do not use to pick up flammable or combustible liquids such as gasoline or use in areas where they may be present.
- To avoid electric shock, do not expose to rain or snow and keep from extremes in temperature. Store in a heated location. Use the machine indoors. Do not use outdoors.
 - Do not use this machine to dry vacuum
 - Do not use with damaged cord or plug. If the machine is not working as it should, has been dropped, damaged, left outdoors or flooded with water, return it to a service center.
 - Unplug the unit from the outlet when not in use and before servicing.
 - Use only as described in this manual. Use only the manufacturers recommended attachments.
 - Do not handle the plug, the cord, or the machine with wet hands.
 - Extension cords must be 12/3 and no longer than 50 feet. Replace the cord or plug immediately if the ground prong becomes damaged.
 - Do not put any object into opening. Do not use with any opening blocked; keep free of dust, lint, hair, and anything that may reduce air flow.
 - Keep loose clothing, hair, fingers and all parts of body away from openings and moving parts.

READ AND SAVE THESE INSTRUCTIONS

YOUR NEW MACHINE:

When you receive your new Kraken Flood Extractor, examine the packaging for signs of shipping damage. Carefully unpack the machine and inspect it. If you see evidence of damage to the container or the contents, contact the freight carrier immediately.

Additionally, ensure all parts and accessories are present; if you notice anything missing, contact your distributor without delay.

SYSTEM FEATURES:

VACUUM: The dual 6.6" vacuum motors in parallel provide high CFM resulting in excellent water recovery, each vacuum motor has it's own check valve and ball float to allow for single vacuum operation (see specs, page2).

SUMP PUMP : The Sump pump will evacuate at 53 GPM through the supplied 1.5" x 50' dump hose. Always operate with filter basket in place to ensure sump pump is not subject to large debris, resulting in clogging and/or reduced flow rates

FILTER BASKET: (Fig. A)

Never operate without filter basket in place! After each use remove and empty filter basket of any materials, failure to do so will result in lost vacuum performance due to reduced airflow.

TOOLS & ACCESSORIES:

The Kraken is designed to be used with all flood extraction tools.

CARE AND MAINTENANCE:

For continual peak operation, clean the recovery tank by flushing with clear water at the end of each job and run clean water through sump pump removing contaminates from pumps impeller.

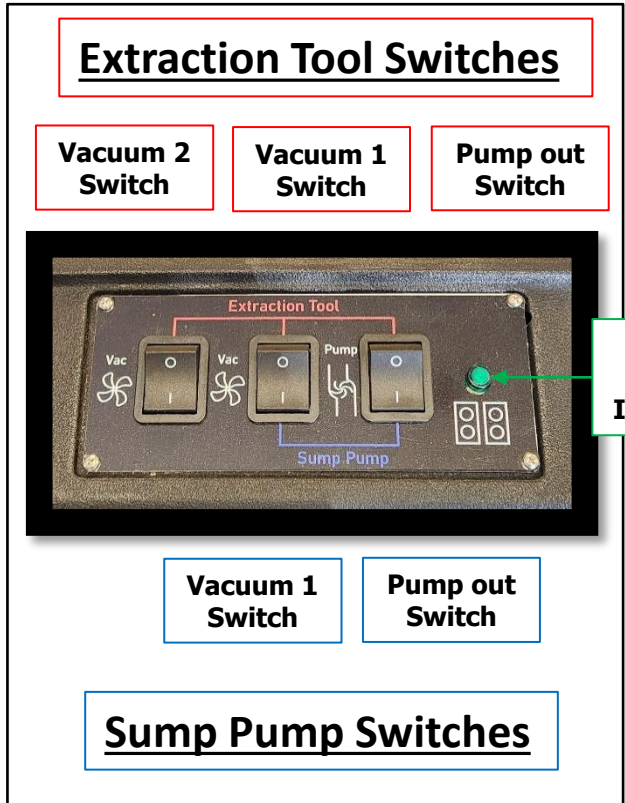
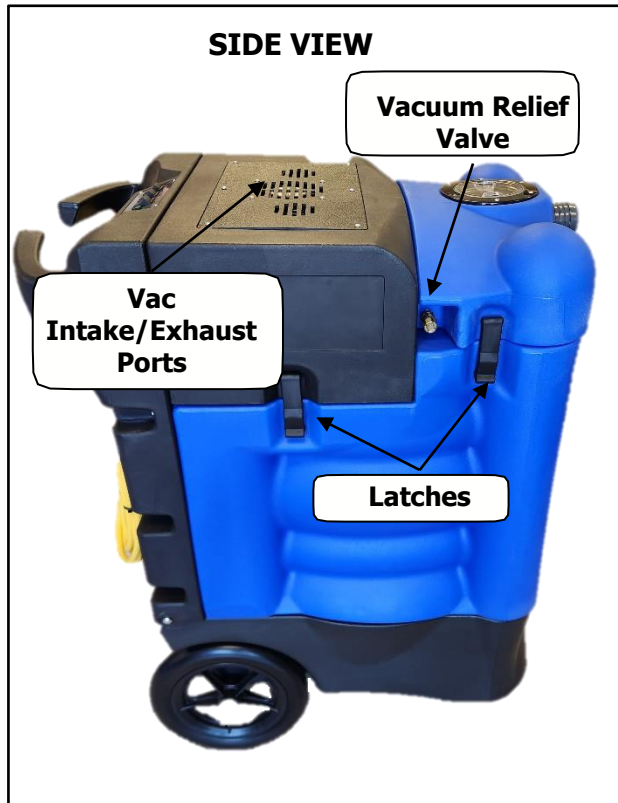
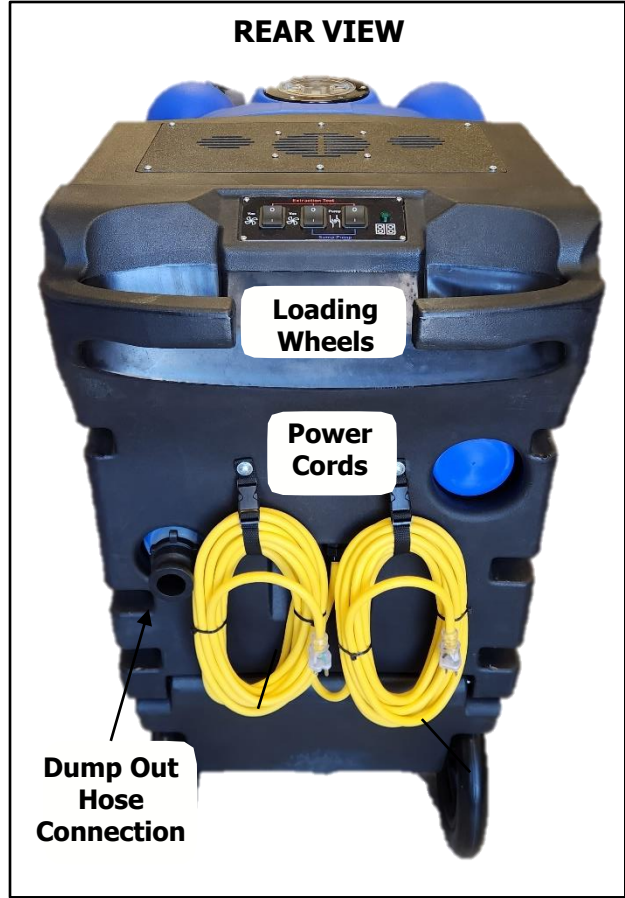
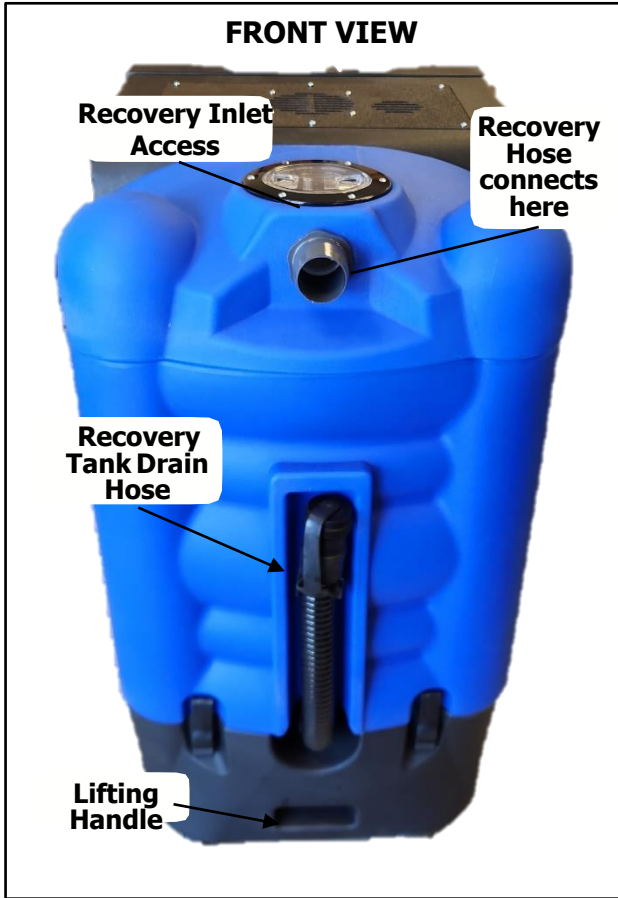
The vacuum motors and the pump do not require any scheduled maintenance; however, the vacuum motor may require replacement brushes after 750-1000 hours.

To help maintain a professional image; clean the exterior of the machine with an all purpose detergent, and protect it with automobile interior polish. Lubricate the wheels, castors, and quick disconnects with an all purpose, silicone spray.

Fig. A



VIEWS OF THE MACHINE:



SET-UP AND OPERATION:

1. Before each use, inspect the machine, hoses and power cords
2. Make sure filter basket is in place , vacuum inlet cover is locked into position and the cap is pushed into the drain hose.
4. Turn off all the switches. Plug the power cords into properly grounded outlets. If operating in dual cord configuration, green light located on switch plate will illuminate when cords are plugged into separate circuits.
5. Connect supplied 2" Vacuum hose to 2" inlet barb
6. Connect supplied 1.5" auto dump hose to rear of machine via supplied banjo style fittings, lock into place
7. If using as a sump pump, turn on vac switch 2 and sump pump, place end of hose in flooded area, unit will extract water then switch from vacuum to auto dump until water level in tank lowers, vacuum will then come back on, pulling water into tank, unit will cycle in this fashion.
8. If using with extraction tool (Water Claw, Wand, ect..) turn on both vacuum 1&2, unit will extract water from flooded surface and auto dump recovered water

Note; Vacuum 2 will shut down during sump pump discharge, Vacuum1 will continue to run and extract water during discharge of pump.

NOTE: Foam will not lift the ball float.

14. When finished with the job, drain all remaining water out of tank using the drain hose located on the front of the unit
15. Remove vacuum tank cover and filter basket. Turn on both vacuum motors, let run for 2-3 minutes, this will remove any moisture in the vacuum motors, greatly extending the life span.

AUTO VACUUM SHUT OFF:

When not using the auto dump feature and recovery tank is full, the ball floats will shut off the suction to prevent the machine from overflowing. NOTE: The floats may not work if there is too much foam in the tank. Always use defoamer to prevent overflow.

TROUBLESHOOTING

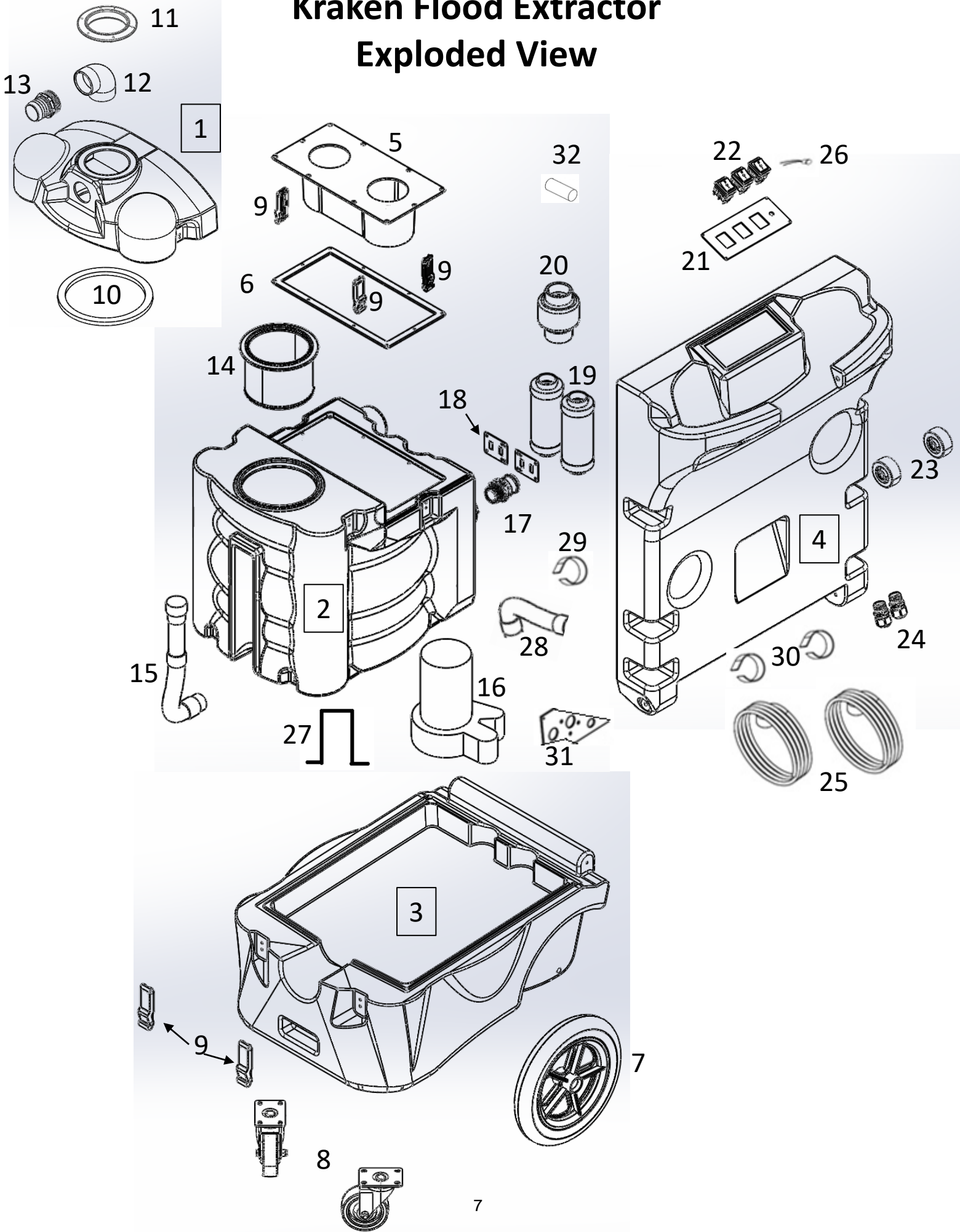


ALWAYS UNPLUG THE MACHINE BEFORE
DISCONNECTING OR CONNECTING ANY WIRES OR
COMPONENTS

SYMPTOM	POSSIBLE CAUSE
No Vacuum	No power to Vacuum motors-Check power cords for connection Check that switches are in ON position Check connections on switches for bad connection
Weak Vacuum	Vacuum inlet cover not latched down Vacuum inlet cover gasket damaged Ball float screens clogged
Dump pump not turning on when water lifts float	No power to pump -- no power to cord Make sure dump pump switch is in ON position Make sure float switch in recovery tank is debris free and pivoting smoothly

Always use original equipment replacement parts.
Contact your distributor for additional information or to arrange for
service.

Kraken Flood Extractor Exploded View



Kraken Flood Extractor

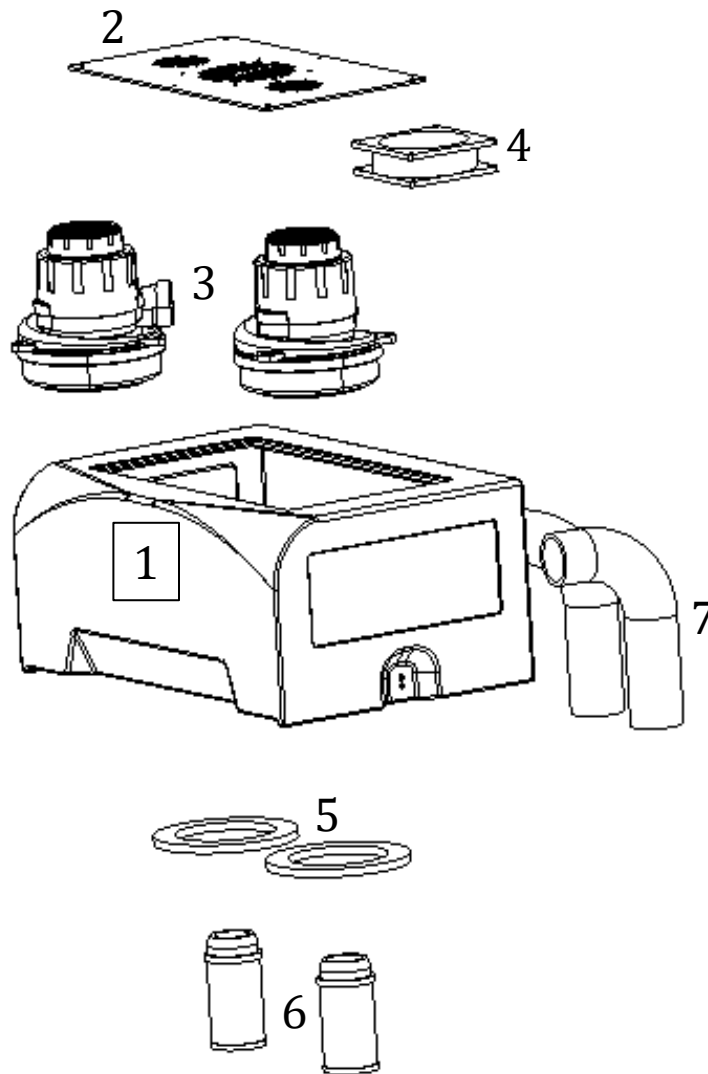
Parts List

Item No.	Part No.	QTY	Description
1	01-10791-001	1	Recovery Tank Inlet (Molded Part)
2	01-10789-001	1	Recovery Tank (Molded Part)
3	01-10788-001	1	Base (Molded Part)
4	01-10787-001	1	Back Wall (Molded Part)
5	39-00216	1	ABS Cover for Ball Floats
6	41-01342	1	Gasket for ABS Cover
7	39-00218	2	12in. Wheel
8	39-00019	2	4in. Casters
9	39-00215	6	Latches
10	41-01344	1	Recovery Tank Inlet Gasket
11	41-01343	1	Access Cap
12	41-00216	1	2in. PVC Elbow
13	41-00217	1	2in. PVC Inlet Barb
14	39-00214	1	Filter Basket
15	41-00623	1	Drain Hose
16	50-00036	1	Sump Pump
17	41-00218	1	Outlet Banjo Fitting
18	35-00001	2	Muffler/Heater Brackets
19	39-00219	2	Muffler
20	41-01804	2	Check Valve
21	41-09550	1	Switch Plate
22	40-00400	3	Switches
23	39-00021	2	Load Wheels
24	41-00016	2	Strain Reliefs
25	40-00007	2	Power Cords
26	50-00153	1	Green LED
27	35-00037	1	Sump Pump Bracket
28	41-00623	26in.	Sump Pump Hose
29	41-00219	1	Hose Coupler
30	41-00214	2	Cord Hanger Buckle Strap
31	35-00038	1	Float Bracket
32	39-00222	1	Spacer, Float Bracket

Kraken Flood Extractor

Vac Box

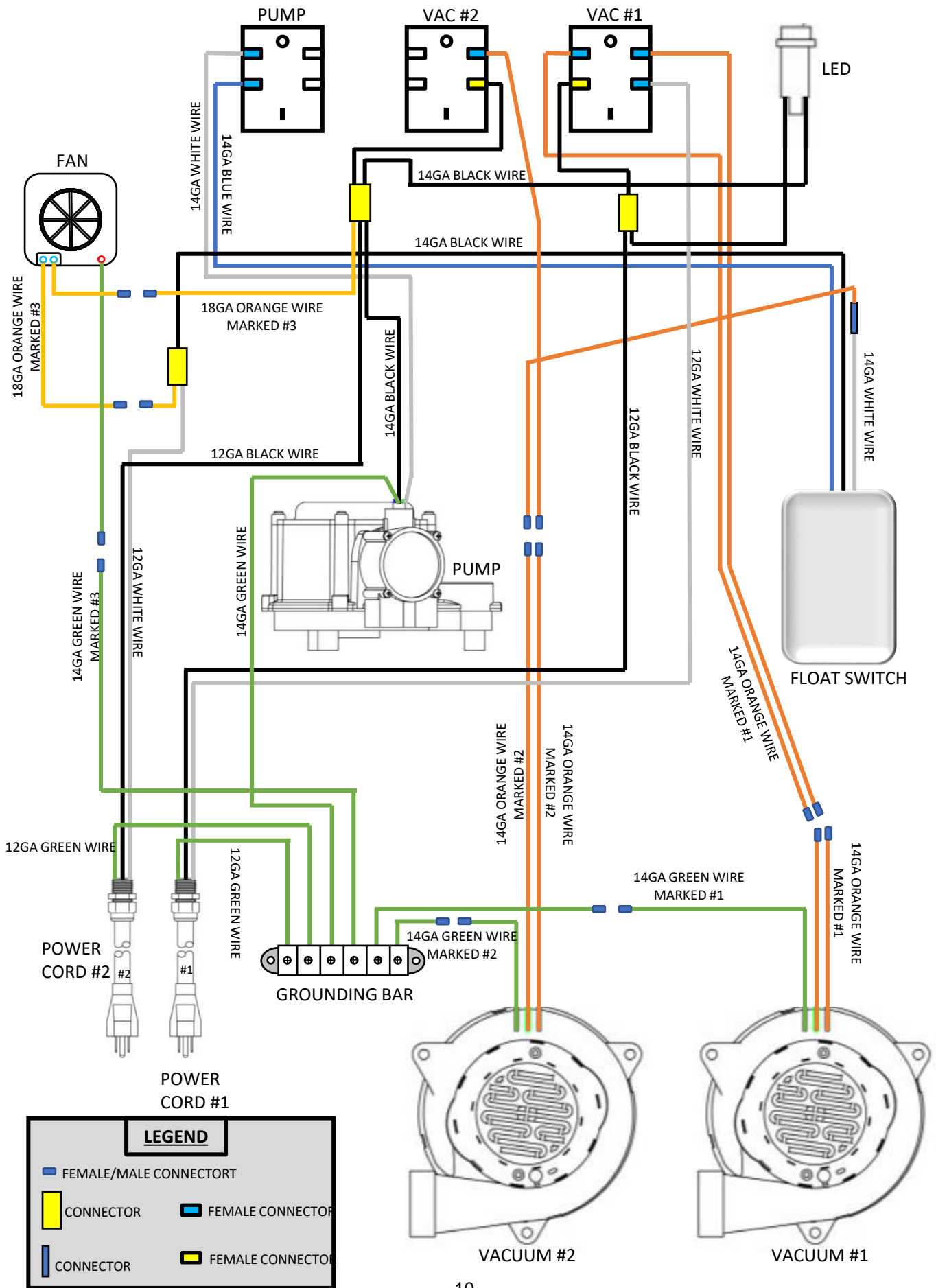
Exploded View



Parts list

Item No.	Part No.	QTY	Description
Above Unit	05-20035	1	Vac Box Full Assembly (Replacement)
1	01-10791-001	1	Vac Box (Molded Part)
2	39-00217	1	ABS Vac Cover
3	52-00017	2	Vac Motors
4	52-00013	1	Cooling Fan
5	41-01305	2	Vac Box Gasket
6	41-09556	2	Ball Float Heavy
7	39-00220	2	Exhaust Hose

Wiring Diagram



KRAKEN WARRANTY

This limited warranty begins on the date of the customers purchase and is valid and available to the original purchaser only.

10-YEAR LIMITED HOUSING WARRANTY

Manufacturer warrants that all rotationally molded housing and tanks will be free from manufacturing defects, defects in workmanship, and defects in material for Ten (10) years from the date of original purchase, for the original purchaser only. This warranty does not apply and is void if there is evidence of improper use, altered, abuse or neglect. **Replacement cost does not include the cost of parts, shipping or labor.**

2-YEAR MAJOR COMPONENTS WARRANTY

Manufacturer warrants that, pumps and vacuum motors, are covered under a two (2) year limited warranty from the date of original purchase. This warranty does not apply and is void if the pump, vacuum motor has worn motor brushes, water damage, freezing, chemical build-up, chemical damage, or evidence of abuse, neglect or tampering. **This warranty covers the cost of the replacement parts, shipping of the new part and labor.** Manufacturer will ship parts via normal ground delivery prior to the return of the defective parts at normal charge to the Distributor. Extra charges for expedited or air shipments will be bill to the Distributor. Manufacturer will credit the Distributor for the replacement parts, if the defective parts are returned within 30 days and are determined to be covered under warranty. **This warranty does NOT cover the cost of shipping the damaged parts back to Manufacturer for evaluation.** If a component is replaced, Manufacturer will offer a new 90-day limited warranty on the new component.

90-DAY WEAR PARTS LIMITED WARRANTY

Manufacturer will replace all wear parts for 90 days from the date of original purchase of new equipment. Wear parts are items which wear out as a result of usage or the passage of time and are consumed despite attempts to maintain them, such as gaskets, wheels, brass, cords, wires, electrical terminals, hoses, switches, thermostats, plastisol parts, filters, bearings, brushes, solenoids, O-rings, bulbs, castors, or other parts deemed wear items is manufactures sole discretion. **This warranty covers the cost of replacement parts, Labor and shipping**

Proof of purchase required