

GP Pulse Pump

Pulse-Actuated Chemical Pump



SPECIFICATIONS

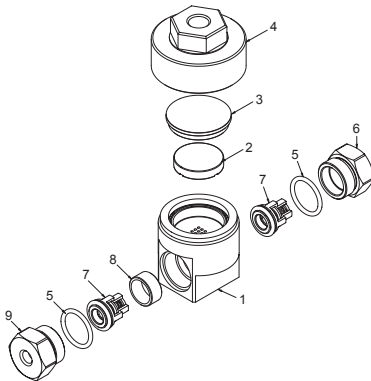
Part Number	100906
Maximum pressure	1500 psi
Maximum Flow	0.75 GPM
Port Sizes: Inlet	1/8"-27 NPT-F
Outlet	1/8"-27 NPT-F
Pulse Port	1/4" NPT-F
Dimensions	2.8" x 2.6" x 2.4"
Weight	2.0 lbs.
Materials	303 Stainless Steel

*Flow will vary according to flow and pressure of the drive pump. For optimum performance inlet pressure to the drive pump should be zero or negative but not to exceed drive pump specifications.

FEATURES

- 303 Stainless Steel body
- NBR diaphragm offers resilience and chemical compatibility
- Mounts to one of the drive pump inlet valve ports by using a special valve and adapter
- Draws cleaning solution with each stroke of the drive pump
- Permits cleaning solution application at system pressure up to 1500 PSI

PARTS LIST



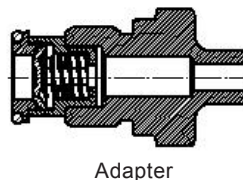
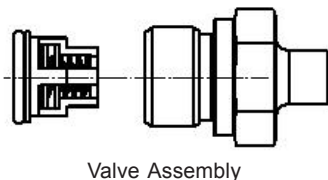
ITEM	PART NO.	DESCRIPTION	QTY.
1	520193	Body, Pulse Pump	1
2	660180	Plastic Disc	1
3	700033	Rubber Diaphragm	1
4	520192	Top Cover Inlet, Pulse Pump	1
5	701004	O-ring, 70 DURO, Buna-N	2
6	520195	Valve Cap, 303SST	1
7	103074	Assy., Valve Kit, Chem. Pulse Pump	2
8	520194	Spacer Ring, 303SST	1
9	520196	Valve Cap, 303SST	1

VALVES & ADAPTERS

PUMP SERIES	ADAPTER FITTING	VALVE ASSEMBLY
60 (TC)	520222	103036
44 (EZ)	520197	103036
63 (TX)	520197	103036
47	520190	103035
66 (TSF)	520223	103090

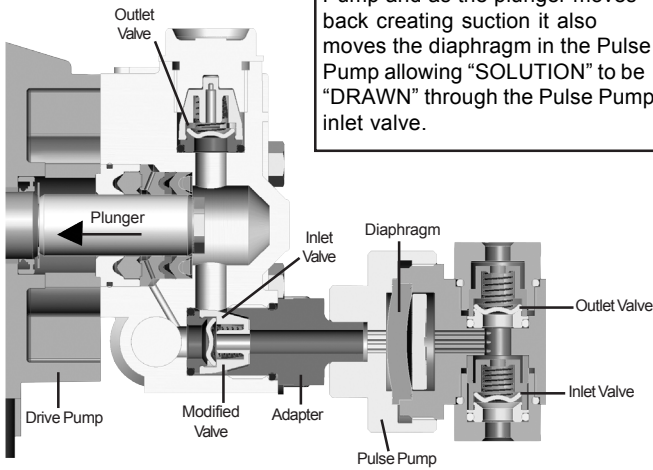
INSTALLATION INSTRUCTIONS

From the drive pump remove one of the standard inlet valve plugs and it's valve assembly and install the special valve assembly with a through hole in the plastic cage and install the special adapter with 1/4"-18 NPT Male threads that is appropriate for the drive pump and tighten to proper torque. Thread the pulse pump pulse port 1/4"-18 NPT Female onto the special adapter 1/4"-18 NPT Male and tighten until the pulse pump inlet and outlet ports are at desired position. Install pulse pump inlet and outlet according to diagram.



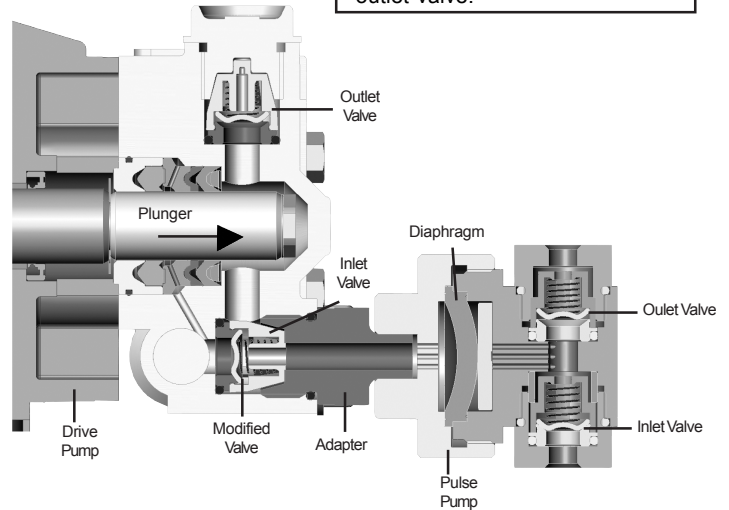
CUTAWAYS & OPERATION

SUCTION



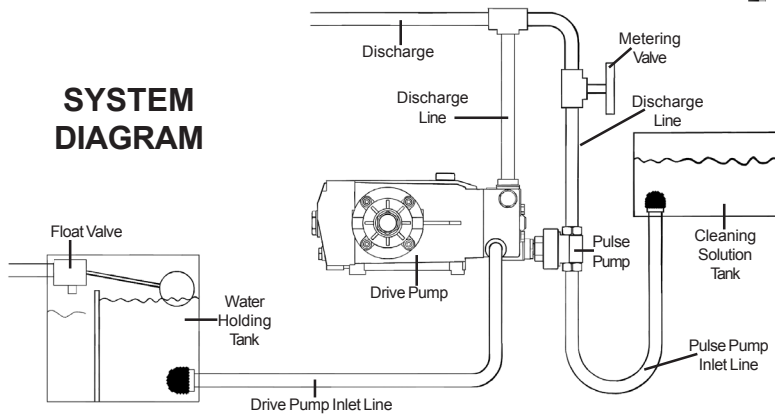
The Pulse Pump attaches to one of the inlet valves of a Plunger Pump and as the plunger moves back creating suction it also moves the diaphragm in the Pulse Pump allowing "SOLUTION" to be "DRAWN" through the Pulse Pump inlet valve.

DISCHARGE



When the Pump Plunger moves Forward it also moves the Diaphragm in the Pulse Pump allowing "SOLUTION" to be "PUMPED" through the Pulse Pump outlet valve.

SYSTEM DIAGRAM



Pulse Pump will not draw cleaning solution with a pressurized inlet to the drive pump. For optimum performance inlet pressure to the drive pump should be zero or negative but not to exceed drive pump specifications.

To adjust the amount of cleaning solution drawn into the system, install a metering valve in the discharge line of the pulse pump.

The pressure limit of 1500 PSI is due to the diaphragm.

START-UP INSTRUCTIONS

With the drive pump system open and pulse pump metering valve open (No back pressure), start drive pump. After water starts to flow from system check to be sure the pulse pump is primed and pumping. Then install nozzle and set drive pump pressure to desired discharge pressure. After the unit is operating, adjust metering valve to obtain desired water/cleaning solution ratio.

Mixing ratio varies with output of driver pump.

TROUBLESHOOTING

No cleaning solution supply from Pulse Pump:

- System not primed
Airlock between drive pump and pulse pump diaphragm
Airlock in pulse pump inlet line
- Failure of diaphragm
- Foreign material in Pulse Pump inlet and outlet valve

Limited cleaning solution supply from Pulse Pump:

- Restriction between drive pump and pulse pump
- Restriction in metering valve
- Worn inlet and outlet valves

Ref. 300539 Rev. A
10/06